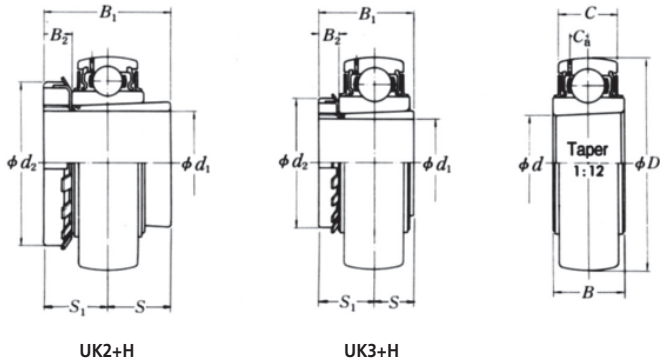


קוטר ציר [מ"מ]	מק"ט	מידות [מ"מ]										עומסים				משקל [ק"ג]
		D	B	C	r min	S	S ₁	S ₂	d _s	Ca	d ₃	[ניוטון] [N]		[ק"ג כח] [kgf]		
12	UC201	47	31	17	0.6	12.7	18.3	4.5	M5x0.8	4.2	29.6	12800	6650	1300	675	0.21
15	UC202	47	31	17	0.6	12.7	18.3	4.5	M5x0.8	4.2	29.6	12800	6650	1300	675	0.2
17	UC203	47	31	17	0.6	12.7	18.3	4.5	M5x0.8	4.2	29.6	12800	6650	1300	675	0.18
20	UC204	47	31	17	1	12.7	18.3	4.5	M5x0.8	4.2	29.6	12800	6650	1300	675	0.17
25	UC205	52	34.1	17	1	14.3	19.8	5	M5x0.8	4.2	33.9	14000	7850	1430	800	0.2
	UC305	62	38	20	1.5	15	23	6	M6x0.75	6.3	36.8	21200	10900	2160	1110	0.35
30	UC206	62	38.1	19	1	15.9	22.2	5	M6x0.75	5.2	40.8	19500	11300	1980	1150	0.33
	UC306	72	43	23	1.5	17	26	6	M6x0.75	6.9	44.9	26700	15000	2720	1530	0.56
35	UC207	72	42.9	20	1.5	17.5	25.4	6	M6x0.75	5.8	46.8	25700	15300	2620	1560	0.49
	UC307	80	48	25	2	19	29	8	M8x1	7.65	49.4	33500	19100	3400	1950	0.71
40	UC208	80	49.2	21	1.5	19	30.2	8	M8x1	6.2	53	29100	17800	2970	1820	0.65
	UC308	90	52	27	2	19	33	10	M10x1.25	8.4	56	40500	24000	4150	2450	0.96
45	UC209	85	49.2	22	1.5	19	30.2	8	M8x1	6.5	57.5	32500	20400	3300	2080	0.7
	UC309	100	57	29	2	22	35	10	M10x1.25	9.3	63.5	53000	32000	5400	3250	1.28
50	UC210	90	51.6	24	1.5	19	32.6	9	M8x1	6.5	62.4	35000	23200	3600	2370	0.8
	UC310	110	61	32	2.5	22	39	12	M12x1.5	10	70.6	62000	38500	6300	3900	1.65
55	UC211	100	55.6	25	2	22.2	33.4	9	M8x1	7.1	69	43500	29200	4450	2970	1.08
	UC311	120	66	34	2.5	25	41	12	M12x1.5	10.7	76.6	71500	45000	7300	4550	2.07
60	UC212	110	65.1	27	2	25.4	39.7	10	M10x1.25	8	77	52500	36000	5350	3700	1.53
	UC312	130	71	36	2.5	26	45	12	M12x1.5	11.5	82.7	82000	52000	8350	5300	2.6
65	UC213	120	65.1	32	2	25.4	39.7	10	M10x1.25	8.5	82.5	57500	40000	5850	4100	1.85
	UC313	140	75	39	2.5	30	45	12	M12x1.5	12.2	88.2	92500	60000	9450	6100	3.25
70	UC214	125	74.6	33	2	30.2	44.4	12	M10x1.25	8.7	87	62000	44000	6350	4500	2.1
	UC314	150	78	41	2.5	33	45	12	M12x1.5	13	94.8	104000	68000	10600	6950	3.89
75	UC215	130	77.8	34	2	33.3	44.5	12	M10x1.25	9.2	93	66000	49500	6750	5050	2.35
	UC315	160	82	43	2.5	32	50	14	M14x1.5	13.8	101.3	113000	77000	11600	7850	4.72
80	UC216	140	82.6	35	2.5	33.3	49.3	12	M10x1.25	9.6	98.1	72500	53000	7400	5400	2.8
	UC316	170	86	45	2.5	34	52	14	M14x1.5	14.5	107.9	123000	86500	12500	8850	5.55
85	UC217	150	85.7	36	2.5	34.1	51.6	12	M12x1.5	10.5	106.4	83500	64000	8500	6500	3.37
	UC317	180	96	47	3	40	56	16	M16x1.5	15	114.4	133000	97000	13500	9850	6.67
90	UC218	160	96	37	2.5	39.7	56.3	12	M12x1.5	11.1	111.6	96000	71500	9800	7300	4.36
	UC318	190	96	49	3	40	56	16	M16x1.5	15.9	120.9	143000	107000	14500	11000	7.56
95	UC319	200	103	51	3	41	62	16	M16x1.5	16.7	127.5	153000	119000	15600	12100	8.7
100	UC320	215	108	55	3	42	66	18	M18x1.5	18	135.6	173000	141000	17700	14400	10.8

Bearings Tables; sponsored by NSK Ltd.



קוטר ציר d1 [מ"מ]	מק"ט	מידות [מ"מ]										עומסים				מתאם קוני	משקל [ק"ג]
		D	B1	d	B	C	S	S1	Ca	B2	d2	[ניוטון] [N]		[ק"ג כח] [kgf]			
20	UK205	52	35	25	23	17	15.5	19.5	4.2	8	38	14000	7850	1430	800	H2305	0.25
	UK305	62	35	25	26	20	14	21	6.3	8	38	21200	10900	2160	1110	H2305	0.36
25	UK206	62	38	30	26	19	17	21	5.2	8	45	19500	11300	1980	1150	H2306	0.36
	UK306	72	38	30	29	23	15.5	22.5	6.9	8	45	26700	15000	2720	1530	H2306	0.59
30	UK207	72	43	35	29	20	20.5	22.5	5.8	9	52	25700	15300	2620	1560	H2307	0.57
	UK307	80	43	35	33	25	18.5	24.5	7.6	9	52	33500	19100	3400	1950	H2307	0.75
35	UK208	80	46	40	31	21	21.5	24.5	6.2	10	58	29100	17800	2970	1820	H2308	0.74
	UK308	90	46	40	34	27	19	27	8.4	10	58	40500	24000	4150	2450	H2308	1.02
40	UK209	85	50	45	31	22	24	26	6.5	11	65	32500	20400	3310	2080	H2309	0.83
	UK309	100	50	45	37	29	20.5	29.5	9.3	11	65	53000	32000	5400	3250	H2309	1.38
45	UK210	90	55	50	32	24	27.5	27.5	6.5	12	70	35000	23200	3600	2370	H2310	0.97
	UK310	110	55	50	41	32	23	32	10	12	70	62000	38500	6300	3900	H2310	1.68
50	UK211	100	59	55	35	25	30.5	28.5	7.1	12	75	43500	29200	4450	2980	H2311	1.26
	UK311	120	59	55	44	34	25.5	33.5	10.7	12	75	71500	45000	7300	4550	H2311	2.06
55	UK212	110	62	60	38	27	31	31	8	13	80	52500	36000	5350	3700	H2312	1.59
	UK312	130	62	60	47	36	26	36	11.5	13	80	82000	52000	8350	5300	H2312	2.53
60	UK213	120	65	65	40	32	32	33	8.5	14	85	57500	40000	5850	4100	H2313	2
	UK313	140	65	65	49	39	27	38	12.2	14	85	92500	60000	9450	6100	H2313	3.08
65	UK215	130	73	75	44	34	37.5	35.5	9.2	15	98	66000	49500	6750	5050	H2315	2.56
	UK315	160	73	75	55	43	31	42	13.8	15	98	113000	77000	11600	7850	H2315	4.84
70	UK216	140	78	80	45	35	39	39	9.6	17	105	72500	53000	7400	5400	H2316	3.23
	UK316	170	78	80	58	45	32.5	45.5	14.5	17	105	123000	86500	12500	8850	H2316	5.75
75	UK217	150	82	85	46	36	41	41	10.5	18	110	83500	64000	8510	6530	H2317	3.93
	UK317	180	82	85	60	47	34	48	15	18	110	133000	97000	13500	9850	H2317	6.72
80	UK218	160	86	90	47	37	43.5	42.5	11.1	18	120	96000	71500	9800	7300	H2318	4.74
	UK318	190	86	90	64	49	36.5	49.5	15.9	18	120	143000	107000	14500	11000	H2318	7.87
85	UK319	200	90	95	67	51	38	52	16.7	19	125	153000	119000	15600	12100	H2319	9.02
90	UK320	215	97	100	73	55	41	56	18	20	130	173000	141000	17700	14400	H2320	11.1
100	UK322	240	105	110	80	59	44	61	21	21	145	205000	179000	20900	18300	H2322	14.9
110	UK324	260	112	120	86	63	47	65	22	22	155	207000	185000	21100	18800	H2324	18
115	UK326	280	121	130	90	67	52	69	23	23	165	229000	214000	23400	21800	H2326	23.3
125	UK328	300	131	140	95	71	58	73	25	24	180	253000	246000	25800	25100	H2328	28.9

Bearings Tables; sponsored by NSK Ltd.