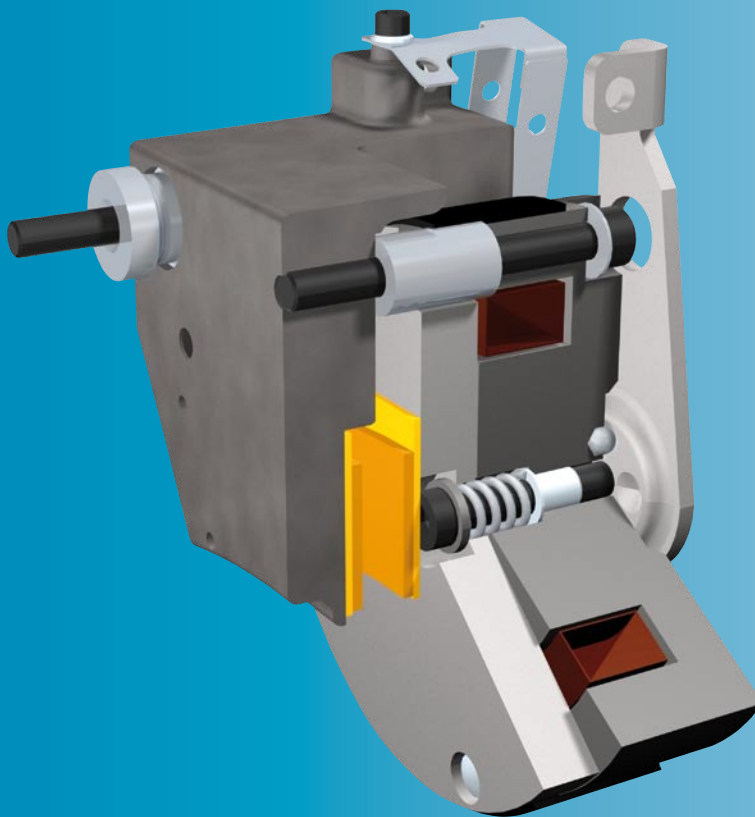


ROBA[®]-diskstop[®]

Safety brakes for brake disks



EN 81-1



- *Low-noise operation*
- *Attractive solution for large braking torques*
- *Mechanical and electrical release*
- *Redundant acc. EN 81
when equipped with two brakes*

www.mayr.de

P.894.V06.GB

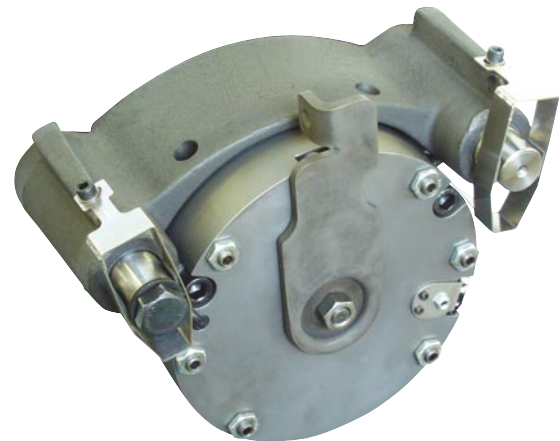
mayr[®]
your reliable partner

ROBA®-diskstop®

Highest safety for gearless passenger and goods elevators

Performance characteristics

- **Cost-effective patented solution**
for large braking torques
- **High energy absorption capability**
enables application in elevators with high speeds and masses
- **Prototype-inspected as part of a protective assembly against excessive upward-moving cage speeds (ABV 08495)**
acc. EN 81-1, two brakes are necessary for a redundant braking system
- **Optional: Active brake release on both sides of the brake disc**
prevents grinding noises, even if axial run-out errors occur on the brake disk (patented mechanism)
- **Patented Noise-damping**
for low-noise operation
- **Can be released electrically and mechanically**
without direct access to the drive (patented hand release)
- **Attachment of microswitches**
for functional monitoring is possible
- **Easy installation**
no adjustment work necessary



Function

The ROBA®-diskstop® brake is a spring applied, electromagnetic safety brake.

Spring applied function:

When the brake is de-energised, the thrust springs (2) push the armature disk (3) against the brake disk (Fig. 1). The brake disk is held between the friction pads (4).

Electromagnetic function:

Due to the magnetic force of the coil in the coil carrier (1), the armature disk (3) is attracted against the spring force to the coil carrier (1). The brake is released and the brake disk can rotate freely.

Application

As safe holding brake and reliable brake for EMERGENCY STOPS

Please Observe: For a dual circuit brake system acc. EN 81-1, at least two brakes are necessary (Fig. 3).

As part of the protective assembly against excessive upward-moving cage speeds.

Please Observe: For a dual circuit brake system acc. EN 81-1, at least two brakes are necessary. Attachment and braking effect directly onto the drive sheave (Figs. 2 and 3).

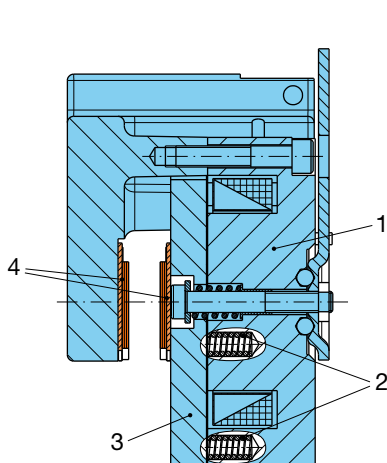


Fig. 1

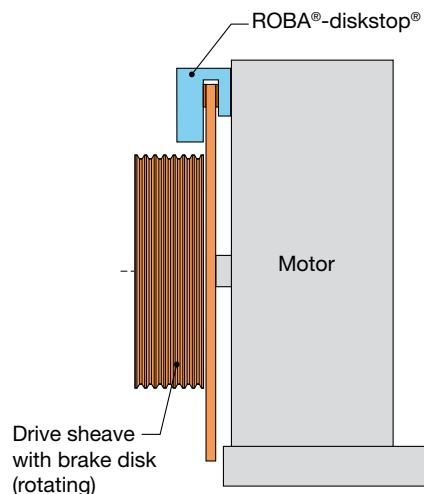


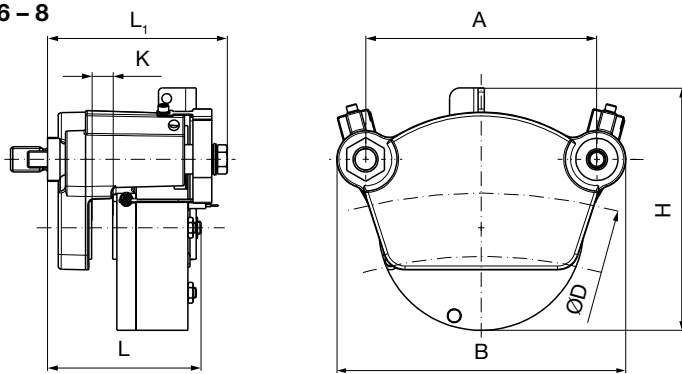
Fig. 2



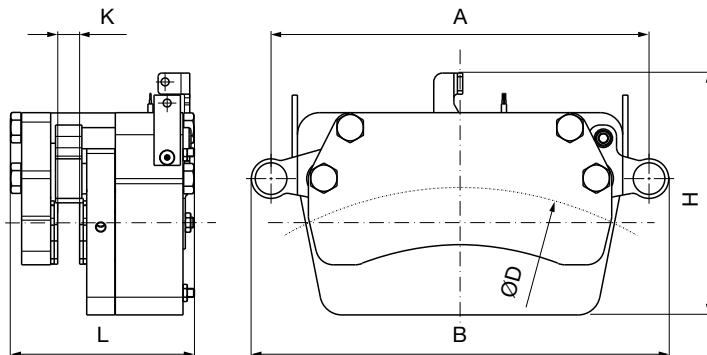
Fig. 3

Technical Data and Dimensions				Size				
				6 flat design	6	7	8	10
Braking torque ¹⁾ „performance-optimised“ Example for brake disk diameter D = 1000 mm	M	[Nm]	1,440 x (D - 40)	1,615 x (D - 40)	1,870 x (D - 50)	2,450 x (D - 50)	5,300 x (D - 80)	
			1382	1550	1777	2328	4876	
Braking torque ¹⁾ „noise-optimised“ Example for brake disk diameter D = 1000 mm	M	[Nm]	1,134 x (D - 40)	1,296 x (D - 40)	1,615 x (D - 50)	1,960 x (D - 50)	4,370 x (D - 80)	
			1089	1244	1534	1862	4020	
Brake disk	Outer diameter	D [mm]	270 – ∞	270 – ∞	390 – 1500	390 – ∞	650 – 1500	
	Width ²⁾	K [mm]	12,5	15	15	20	25	
Brake	Distance between bolts	A [mm]	140	140	180	220	430	
	Length	L [mm]	127	132	135	147	198	
	Length (incl. alignment mechanism for Sizes 6 – 8)	L ₁ [mm]	133	155	161	173	-	
	Height	H [mm]	200	200	225,5	230,5	275	
	Width	B [mm]	184	184	229	275	475	

Sizes 6 – 8



Size 10



- 1) Tolerance -0 % / +60 %
- 2) Other brake disk widths are possible -
Please contact the responsible sales representative or the mayr® company directly.

License

The brakes are prototype-inspected for their effect as a brake assembly on the drive sheave shaft and as part of the protective assembly against excessive upward-moving cage speed. For a dual circuit brake system acc. EN 81-1, at least two brakes are necessary.

License number:

- ABV 08495 (Sizes 6 - 8)**
- ABV 822 (Size 10)**

Order Number

Standard design		5	0 Without damping	0 Bowden cable hand release	0 Without release monitoring
Flat design ⁵⁾		6	1 With damping	1 Manual hand release	1 With release monitoring
		▽	▽	▽	▽
_ / 8 9 4 . _ _ . _ 3 / _ / _					
▲ ▲ ▲ ▲ ▲					
Size	Basic Type series <u>without</u> alignment mechanism and <u>without</u> guide bolts			0	Connection cable ³⁾
6	Type series <u>without</u> alignment mechanism and with <u>screw-on</u> guide bolts ⁴⁾			1	
7	Type series <u>with</u> alignment mechanism and with <u>screw-on</u> guide bolts ⁴⁾			2	
8	Type series <u>without</u> alignment mechanism and with <u>plug-in</u> guide bolts ⁴⁾			3	
10	Type series <u>with</u> alignment mechanism and with <u>plug-in</u> guide bolts ⁴⁾			4	
					Coil voltages 104, 180, 207 [V DC]

Example: 7 / 894.501.13 / 0 / 104 V DC

3) We recommend operation with smoothed DC-voltage or a mayr®-bridge rectifier for optimum low-noise brake operation.

4) Not for Size 10
5) Only Size 6

Headquarters

Chr. Mayr GmbH + Co. KG
Eichenstrasse 1, D-87665 Mauerstetten
Tel.: 0 83 41/8 04-0, Fax: 0 83 41/80 44 21
www.mayr.de, eMail: info@mayr.de



mayr[®]

Service Germany

Baden-Württemberg

Esslinger Straße 7
70771 Leinfelden-Echterdingen
Tel.: 07 11/45 96 01 0
Fax: 07 11/45 96 01 10

Bavaria

Eichenstrasse 1
87665 Mauerstetten
Tel.: 0 83 41/80 41 04
Fax: 0 83 41/80 44 23

Chemnitz

Bornaer Straße 205
09114 Chemnitz
Tel.: 03 71/4 74 18 96
Fax: 03 71/4 74 18 95

Franken

Unterer Markt 9
91217 Hersbruck
Tel.: 0 91 51/81 48 64
Fax: 0 91 51/81 62 45

Hagen

Im Langenstück 6
58093 Hagen
Tel.: 0 23 31/78 03 0
Fax: 0 23 31/78 03 25

Kamen

Lünener Strasse 211
59174 Kamen
Tel.: 0 23 07/23 63 85
Fax: 0 23 07/24 26 74

North

Schiefer Brink 8
32699 Extertal
Tel.: 0 57 54/9 20 77
Fax: 0 57 54/9 20 78

Rhine-Main

Jägerstrasse 4
64739 Höchst
Tel.: 0 61 63/48 88
Fax: 0 61 63/46 47

Branch office

China

Mayr Zhangjiagang
Power Transmission Co., Ltd.
Changxing Road No. 16,
215600 Zhangjiagang
Tel.: 05 12/58 91-75 65
Fax: 05 12/58 91-75 66
info@mayr-ptc.cn

Great Britain

Mayr Transmissions Ltd.
Valley Road, Business Park
Keighley, BD21 4LZ
West Yorkshire
Tel.: 0 15 35/66 39 00
Fax: 0 15 35/66 32 61
sales@mayr.co.uk

France

Mayr France S.A.
Z.A.L. du Minopole
BP 16
62160 Bully-Les-Mines
Tel.: 03.21.72.91.91
Fax: 03.21.29.71.77
contact@mayr.fr

Italy

Mayr Italia S.r.l.
Viale Veneto, 3
35020 Saonara (PD)
Tel.: 0 49/8 79 10 20
Fax: 0 49/8 79 10 22
info@mayr-italia.it

Singapore

Mayr Transmission (S) PTE Ltd.
No. 8 Boon Lay Way Unit 03-06,
TradeHub 21
Singapore 609964
Tel.: 00 65/65 60 12 30
Fax: 00 65/65 60 10 00
info@mayr.com.sg

Switzerland

Mayr Kupplungen AG
Tobelackerstrasse 11
8212 Neuhausen am Rheinfall
Tel.: 0 52/6 74 08 70
Fax: 0 52/6 74 08 75
info@mayr.ch

USA

Mayr Corporation
4 North Street
Waldwick
NJ 07463
Tel.: 2 01/4 45-72 10
Fax: 2 01/4 45-80 19
info@mayrcorp.com

Representatives

Australia

Transmission Australia Pty. Ltd.
22 Corporate Ave,
3178 Rowville, Victoria
Australien
Tel.: 0 39/7 55 44 44
Fax: 0 39/7 55 44 11
info@transaus.com.au

China

Mayr Shanghai
Representative Office
Room 506, No. 1007,
Zhongshan South No. 2 Road
200030 Shanghai, VR China
Tel.: 0 21/64 57 39 52
Fax: 0 21/64 57 56 21
sales@mayr.com.cn

India

National Engineering
Company (NENCO)
J-225, M.I.D.C.
Bhosari Pune 411026
Tel.: 0 20/27 47 45 29
Fax: 0 20/27 47 02 29
nenco@nenco.org

Japan

MATSUI Corporation
2-4-7 Azabudai
Minato-ku
Tokyo 106-8641
Tel.: 03/35 86-41 41
Fax: 03/32 24 24 10
k.goto@matsui-corp.co.jp

South Africa

Torque Transfer
Private Bag 9
Elandsfontein 1406
Tel.: 0 11/3 45 80 00
Fax: 0 11/9 74 05 24
torque@bearings.co.za

South Korea

Mayr Korea Co. Ltd.
no. 302, 3rd floor, Kyoungnam
Taxi Mutual Aid Association Hall,
209-3, Myoung-Seo Dong,
Changwon, Korea
Tel.: 0 55/2 62-40 24
Fax: 0 55/2 62-40 25
info@mayrkorea.com

Taiwan

German Tech Auto Co., Ltd.
No. 162, Hsin sheng Road,
Taishan Hsiang,
Taipei County 243, Taiwan R.O.C.
Tel.: 02/29 03 09 39
Fax: 02/29 03 06 36
steve@zfgta.com.tw

Machine tools

Applications in China
DTC. Co.Ltd.,
Block 5th, No. 1699,
East Zhulu Road,
201700 Shanghai, China
Tel.: 021/59883978
Fax: 021/59883979
dtcshanghai@online.sh.cn

More representatives:

Austria, Benelux States, Brazil, Canada, Czech Republic, Denmark, Finland, Greece, Hongkong, Hungary, Indonesia, Israel, Malaysia, New Zealand, Norway, Philippines, Poland, Romania, Russia, Slovakia, Slovenia, Spain, Sweden, Thailand, Turkey

You can find the complete address for the representative responsible for your area under www.mayr.de in the internet.

mayr[®]
your reliable partner